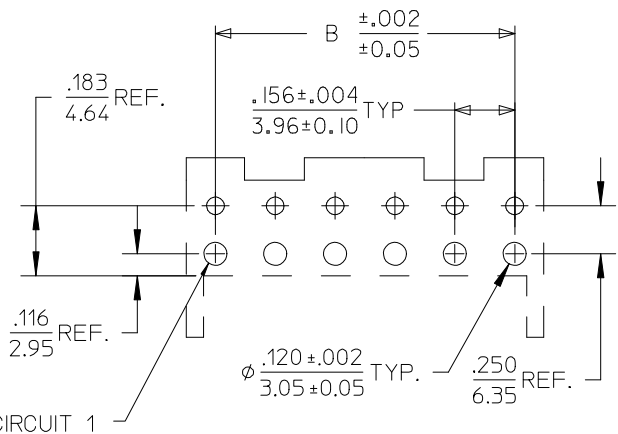


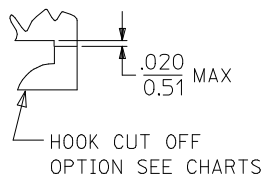
NOTES:

- HOUSING MATERIAL: NYLON, UL 94V-2
- FINISH:
 - (909) = OVERALL HOT TIN DIP: .000100/0.00254 MIN.
 - (197) = OVERALL REFLOWED MATTE TIN: 0.00152/.000060 MIN. OVER 0.00127/.000050 MIN. NICKEL OVERALL.
 - (208) = SELECT GOLD: .000015/0.00038 MIN. SELECT TIN: .000100/0.00254 MIN. OVERALL NICKEL UNDERPLATE: .000050/0.00127 MIN.
- PRODUCT SPECIFICATION: PS-08-50
- PACKAGING INFO: SEE CHARTS
- SOLDERABILITY SPECIFICATION: SMES-152
- RIGHT ANGLE OPTIONS SEE DRAWING SDA-2145-001
- BOTTOM ENTRY OPTIONS SEE DRAWING SDA-2145-003
- .183/4.64 DIMENSION IS BOTTOM OF HOUSING TO CENTER OF MATING PIN AND DOES NOT REFLECT CENTER OF CONNECTOR HOUSING WINDOW DIMENSION.
- THIS PART CONFORMS TO CLASS B REQUIREMENTS OF COSMETIC SPECIFICATION PS-45499-002.
- DIMENSION "C" MEASURED WITH TERMINAL PUSHED IN AGAINST THE STOP.

CKT	A	B	CENTER HOOK(S) LOCATED BETWEEN CIRCUITS
02	.308 7.82	.156±.005 3.96±0.13	NONE
03	.464 11.79	.312±.005 7.92±0.13	NONE
04	.620 15.75	.468±.005 11.89±0.13	NONE
05	.776 19.71	.624±.005 15.85±0.13	NONE
06	.932 23.67	.780±.005 19.81±0.13	NONE
07	1.088 27.64	.936±.010 23.77±0.25	NONE
08	1.244 31.60	1.092±.010 27.74±0.25	4 & 5
09	1.400 35.56	1.248±.010 31.70±0.25	4 & 5
10	1.556 39.52	1.404±.010 35.66±0.25	5 & 6
11	1.712 43.48	1.560±.010 39.62±0.25	5 & 6
12	1.868 47.45	1.716±.010 43.59±0.25	4 & 5, 8 & 9
13	2.024 51.41	1.872±.010 47.55±0.25	6 & 7, 11 & 12
14	2.180 55.37	2.028±.014 51.51±0.36	5 & 6, 9 & 10
15	2.336 59.33	2.184±.014 55.47±0.36	5 & 6, 10 & 11



PCB LAYOUT: COMPONENT SIDE
RECOMMENDED PCB THICKNESS: .062/1.57



DIM "C" TOLERANCE	EC NO: UCP2016-2492	2015/12/17	QUALITY SYMBOLS
	DRWN:GES	2016/01/27	
	CHKD:MKLIPPER	2016/08/25	
	APPR:FSMITH		
AA	REV	DESCRIPTION	

GENERAL TOLERANCES (UNLESS SPECIFIED)	DIMENSION STYLE IN/MM	
	mm	INCH
4 PLACES	± ---	± ---
3 PLACES	± ---	± .010
2 PLACES	± 0.25	± .014
1 PLACE	± 0.36	± ---
0 PLACE	± ---	± ---
ANGULAR ±1/2°		
DRAFT WHERE APPLICABLE MUST REMAIN WITHIN DIMENSIONS		

DRAWN BY SAMIEC	DATE 2003/01/16
CHECKED BY	DATE
SAMIEC	2003/01/16
APPROVED BY	DATE
FSMITH	2016/08/25
MATERIAL NO.	
SEE CHART	
SIZE A	THIS DRAWING CONTAINS INFORMATION THAT IS PROPRIETARY TO MOLEX INCORPORATED AND SHOULD NOT BE USED WITHOUT WRITTEN PERMISSION

SCALE	DESIGN UNITS INCH	THIRD ANGLE PROJECTION
TITLE KK 156 HOUSING ASSY PC TAIL TOP ENTRY		
molex		
DOCUMENT NO. SDA-2145-002	SHEET NO. 1 OF 4	



KK 156 PCB ASSY 2-15 CKT

2145 TOP ENTRY SERIES

OPTIONS	RAMPS	YES	RAMPS	YES
	HOOKS CUT:	NO	HOOKS CUT:	NO
	COLOR:	WHITE	COLOR:	WHITE
	MOLD VOID:	NONE	MOLD VOID:	NONE
	TERM MATL:	PHOS BRONZE	TERM MATL:	PHOS BRONZE
	CONTACT:	STANDARD	CONTACT:	STANDARD
	PC TAIL (C):	.120 / 3.05	PC TAIL (C):	.120 / 3.05
	PLT CODE:	197 – TIN	PLT CODE:	208 – 15 GOLD
	TERM VOID:	NONE	TERM VOID:	NONE
	PACKAGING:	TRAY PK-2145-001	PACKAGING:	TRAY PK-2145-001
Ckt	Material No	Material No		
2	09-62-6025	09-62-4029		
3	09-62-6035	09-62-4039		
4	09-62-6045	09-62-4049		
5	09-62-6055	09-62-4059		
6	09-62-6065	09-62-4069		
7	09-62-6075	09-62-4079		
8	09-62-6085	09-62-4089		
9	09-62-6095	09-62-4099		
10	09-62-6105	09-62-4109		
11	09-62-6115	09-62-4119		
12	09-62-6125	09-62-4129		
13	09-62-6135	09-62-4139		
14	09-62-6145	09-62-4149		
15	09-62-6155	09-62-4159		

REV: AA	CLARIFY HOOKS ECM 107740 08/22/2016	TITLE: KK 156 PCB ASSY 2145 TOP ENTRY SERIES	SHEET No. - 2 -
DOCUMENT NUMBER: SDA-2145-002	CREATED / REVISED BY: MKIPPER	CHECKED BY: JBELL	APPROVED BY: FSMITH



KK 156 PCB ASSY 2-15 CKT

2145 TOP ENTRY SERIES

OPTIONS	RAMPS	YES	RAMPS	YES	RAMPS	YES	RAMPS	YES
	HOOKS CUT:	NO	HOOKS CUT:	NO	HOOKS CUT:	YES	HOOKS CUT:	NO
	COLOR:	WHITE	COLOR:	WHITE	COLOR:	WHITE	COLOR:	WHITE
	MOLD VOID:	NONE	MOLD VOID:	NONE	MOLD VOID:	NONE	MOLD VOID:	NONE
	TERM MATL:	BRASS	TERM MATL:	BRASS	TERM MATL:	BRASS	TERM MATL:	BRASS
	CONTACT:	STANDARD	CONTACT:	STANDARD	CONTACT:	STANDARD	CONTACT:	STANDARD
	PC TAIL (C):	.120 / 3.05	PC TAIL (C):	.189 / 4.80	PC TAIL (C):	.120 / 3.05	PC TAIL (C):	.120 / 3.05
	PLT CODE:	197 – TIN	PLT CODE:	P909 – TIN	PLT CODE:	P909 – TIN	PLT CODE:	P909 – TIN
	TERM VOID:	NONE	TERM VOID:	NONE	TERM VOID:	NONE	TERM VOID:	NONE
	PACKAGING:	TRAY PK-2145-001	PACKAGING:	TRAY PK-2145-001	PACKAGING:	TRAY PK-2145-001	PACKAGING:	TRAY PK-2145-001
Ckt	Material No		Material No		Material No		Material No	
2	09-52-1023		09-52-1029				09-52-3023	
3	09-52-1033		09-52-1039		09-52-3034		09-52-3033	
4	09-52-1043		09-52-1049		09-52-3044		09-52-3043	
5	09-52-1053		09-52-1059		09-52-3054		09-52-3053	
6	09-52-1063		09-52-1069		09-52-3064		09-52-3063	
7	09-52-1073		09-52-1079				09-52-3073	
8	09-52-1083		09-52-1089		09-52-3089		09-52-3083	
9	09-52-1093		09-52-1099		09-52-3094		09-52-3093	
10	09-52-1103		09-52-1109				09-52-3103	
11	09-52-1113		09-52-1119				09-52-3113	
12	09-52-1123		09-52-1129				09-52-3123	
13	09-52-1133		09-52-1139				09-52-3133	
14	09-52-1143		09-52-1149				09-52-3143	
15	09-52-1153		09-52-1159				09-52-3153	

REV:	CLARIFY HOOKS ECM 107740 08/22/2016	TITLE:	KK 156 PCB ASSY 2145 TOP ENTRY SERIES	<u>SHEET No.</u> - 3 -			
AA							
<u>DOCUMENT NUMBER:</u>	SDA-2145-002	<u>CREATED / REVISED BY:</u>	MKIPPER	<u>CHECKED BY:</u>	JBELL	<u>APPROVED BY:</u>	FSMITH



KK 156 PCB ASSY 2-15 CKT

2145 TOP ENTRY SERIES

OPTIONS	RAMPS	NO	RAMPS	YES	RAMPS	YES		
	HOOKS CUT:	YES	HOOKS CUT:	NO	HOOKS CUT:	NO		
	COLOR:	WHITE	COLOR:	WHITE	COLOR:	WHITE		
	MOLD VOID:	NONE	MOLD VOID:	NONE	MOLD VOID:	NONE		
	TERM MATL:	BRASS	TERM MATL:	BRASS	TERM MATL:	PHOS BRONZE		
	CONTACT:	STANDARD	CONTACT:	STANDARD	CONTACT:	STANDARD		
	PC TAIL (C):	.120 / 3.05	PC TAIL (C):	.120 / 3.05	PC TAIL (C):	.120 / 3.05		
	PLT CODE:	P909 – TIN	PLT CODE:	208 – 15 GOLD	PLT CODE:	P909 – TIN		
	TERM VOID:	NONE	TERM VOID:	NONE	TERM VOID:	NONE		
	PACKAGING:	TRAY PK-2145-001	PACKAGING:	TRAY PK-2145-001	PACKAGING:	TRAY PK-2145-001		
Ckt	Material No		Material No		Material No			
2	09-52-1025		09-62-3023		09-52-2029			
3	09-52-1035		09-62-3033		09-52-2039			
4	09-52-1045		09-62-3043		09-52-2049			
5	09-52-1055		09-62-3053		09-52-2059			
6	09-52-1065		09-62-3063		09-52-2069			
7	09-52-1075		09-62-3073		09-52-2079			
8	09-52-1085		09-62-3083		09-52-2089			
9	09-52-1095		09-62-3093		09-52-2099			
10	09-52-1105		09-62-3103		09-52-2109			
11	09-52-1115		09-62-3113		09-52-2119			
12	09-52-1125		09-62-3123		09-52-2129			
13	09-52-1135		09-62-3133		09-52-2139			
14	09-52-1145		09-62-3143		09-52-2149			
15	09-52-1155		09-62-3153		09-52-2159			

REV:	CLARIFY HOOKS ECM 107740 08/22/2016	TITLE:	KK 156 PCB ASSY 2145 TOP ENTRY SERIES	<u>SHEET No.</u> - 4 -			
AA							
<u>DOCUMENT NUMBER:</u>	SDA-2145-002	<u>CREATED / REVISED BY:</u>	MKIPPER	<u>CHECKED BY:</u>	JBELL	<u>APPROVED BY:</u>	FSMITH